



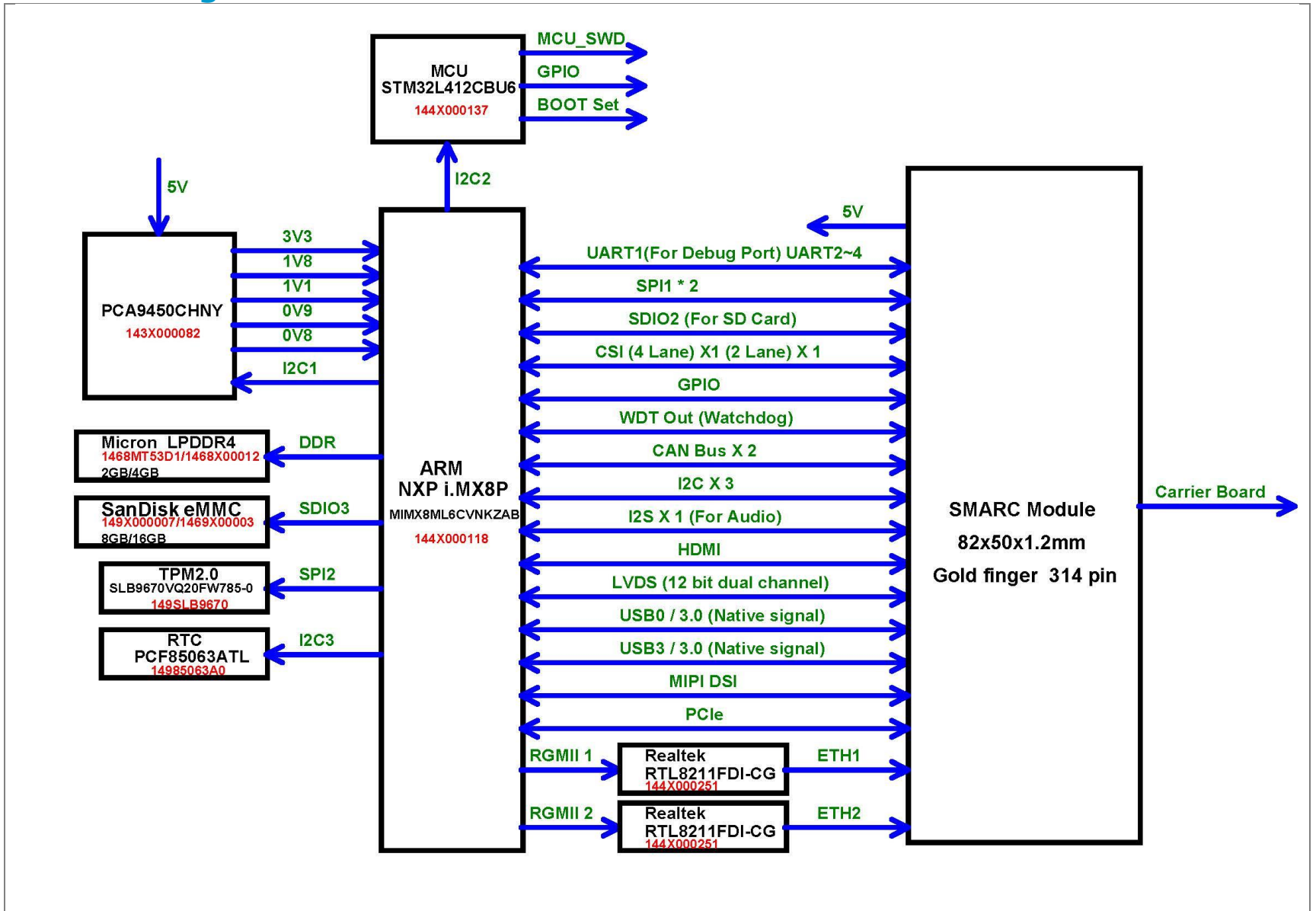
Product Feature:

- NXP i.MX 8M Plus Quad-core Cortex-A53/M7
- Short-sized SMARC (82 x 50mm) with MXM3 connector
- 8GB LPDDR4, 32GB eMMC
- Double display: HDMI 2.0, LVDS
- Industrial operating temperature: -40°C ~ 85°C

Specifications

System		Interface(Supply by carry board)	
CPU/MCU	NXP i.MX 8M Plus Quad-core Cortex-A53/M7 Processor	Serial Port	--
Memory	8GB LPDDR4	Ethernet	2 x Ethernet 10/100/1000
Storage	32GB eMMC	USB	2 x USB3.0
Real time clock	--	ADC	--
Indicators	--	DI/DO	--
Cellular	--	AI/AO	--
Wireless LAN	--	CAN Bus	2 x CAN Bus
Operating System	--	Display	1 x HDMI 2.0 1080P@60 1 x 4 Lane LVDS
Support Protocol	--	Video Input	MIPI CSI 4-lane, MIPI DSI 4-lane with PHY
Power Supply		Power Connector	--
Power Requirement	5V	Debug Port	--
Power Consumption	--	Expansion Slot	1 x SD slot 1 x PCIe Gen3
MTBF (Hours)	--	Other Interface	2 x SPI 5 x GPIO 1.8V
Environmental and Mechanical			
Dimension	3.22" x1.96" (82 x 50 mm)		
Weight	20 g		
Mouting/Installation	--		
Operating Temperature	-40 °F ~ 185 °F (-40 °C ~ 85 °C)		
Storage Temperature	-40 °F ~ 185 °F (-40 °C ~ 85 °C)		
Operating Humidity	5% ~ 95% relative humidity, non-condensing		
Certification			
Regulations	--		
Carrier	--		

Block Diagram



Ordering Information

Part Number	Packing List
2IEC-N148-01 SOM, NXP i.MX 8M Plus, 1.6GHz, 8G RAM, 32GB eMMC	--